

JVC

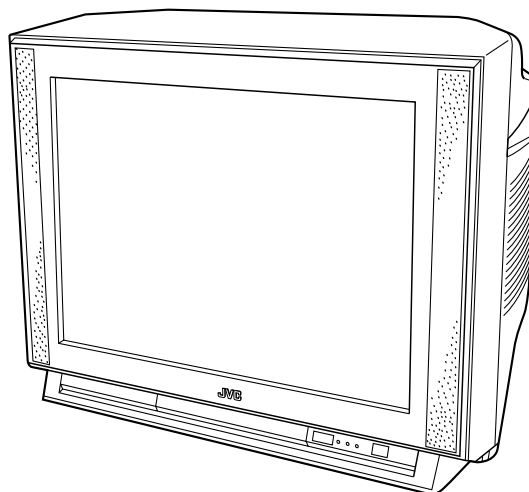
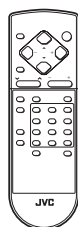
SERVICE MANUAL

COLOUR TELEVISION

BASIC CHASSIS

CM-F

AV-21PX



CONTENTS

■ SPECIFICATIONS	2
■ SAFETY PRECAUTIONS	3
■ FEATURES	4
★ OPERATING INSTRUCTIONS (APPENDED)	1-1
■ SPECIFIC SERVICE INSTRUCTIONS	4
■ SERVICE ADJUSTMENTS	10
★ STANDARD CIRCUIT DIAGRAM (APPENDED)	2-1
■ PARTS LIST	29

SPECIFICATIONS

Item		Content
Dimensions (W × H × D)		596mm × 468.5mm × 481.5mm
Mass		25kg
TV RF System		B / G, I, D / K, K1, M
Colour System	TV Mode	PAL / SECAM / NTSC3.58 / NTSC4.43
	VIDEO Mode	PAL / SECAM / NTSC3.58 / NTSC4.43
Receiving Frequency	VHF (VL)	46.25MHz ~ 168.25MHz
	VHF (VH)	175.25MHz ~ 463.25MHz
	UHF	471.25MHz ~ 863.25MHz
	CATV	● Cable TVs of Mid (X-Z, S1-S10) Super (S11-S20) & Hyper (S21-S41) bands receivable
Intermediate Frequency	VIF Carrier	38.0MHz
	SIF Carrier	31.5MHz (6.5MHz) 32.0MHz (6.0MHz) 32.5MHz (5.5MHz) 33.5MHz (4.5MHz)
Colour Sub Carrier Frequency		PAL (4.43MHz), SECAM (4.40625MHz / 4.25MHz) NTSC (3.58MHz / 4.43MHz)
Aerial Input Terminal		75Ω Unbalanced
Power Input		AC110 ~ 240V, 50/60Hz
Power Consumption		135W (Max.) / 89W (Avg.)
Picture Tube		Visible size : 51cm measured diagonally
High Voltage		29kV +1/-1.5kV (at zero beam current)
Speaker		5 × 12cm Oval type × 2
Audio Output		5W + 5W
Input (S/Video-1, Video-2 & -3, Audio)	Video	1Vp-p, 75Ω
	S/Video	Y: 1Vp-p Positive (negative sync provided, when terminated with 75Ω) C: 0.286Vp-p (burst signal, when terminated with 75Ω)
	Audio (L/R)	500mVrms (-4dBs), High impedance
Output	Video	1Vp-p, 75Ω
	Audio (L/R)	500mVrms (-4dBs), Low impedance
Headphone Jack		Stereo mini jack (3.5ø)
Remote Control Unit		RM-C235-1C (Battery size : AA/R06/UM-3 × 2)

Design & specifications are subject to change without notice.

SAFETY PRECAUTIONS

- The design of this product contains special hardware, many circuits and components specially for safety purposes. For continued protection, no changes should be made to the original design unless authorized in writing by the manufacturer. Replacement parts must be identical to those used in the original circuits. Service should be performed by qualified personnel only.
- Alterations of the design or circuitry of the products should not be made. Any design alterations or additions will void the manufacturer's warranty and will further relieve the manufacturer of responsibility for personal injury or property damage resulting therefrom.
- Many electrical and mechanical parts in the products have special safety-related characteristics. These characteristics are often not evident from visual inspection nor can the protection afforded by them necessarily be obtained by using replacement components rated for higher voltage, wattage, etc. Replacement parts which have these special safety characteristics are identified in the parts list of Service manual. **Electrical components having such features are identified by shading on the schematics and by (⚠) on the parts list in Service manual.** The use of a substitute replacement which does not have the same safety characteristics as the recommended replacement part shown in the parts list of Service manual may cause shock, fire, or other hazards.
- Don't short between the LIVE side ground and ISOLATED (NEUTRAL) side ground or EARTH side ground when repairing.**
Some model's power circuit is partly different in the GND. The difference of the GND is shown by the LIVE : (⊥) side GND, the ISOLATED (NEUTRAL) : (↯) side GND and EARTH : (⊕) side GND. Don't short between the LIVE side GND and ISOLATED (NEUTRAL) side GND or EARTH side GND and never measure with a measuring apparatus (oscilloscope etc.) the LIVE side GND and ISOLATED (NEUTRAL) side GND or EARTH side GND at the same time.
If above note will not be kept, a fuse or any parts will be broken.
- If any repair has been made to the chassis, it is recommended that the B1 setting should be checked or adjusted (See ADJUSTMENT OF B1 POWER SUPPLY).
- The high voltage applied to the picture tube must conform with that specified in Service manual. Excessive high voltage can cause an increase in X-Ray emission, arcing and possible component damage, therefore operation under excessive high voltage conditions should be kept to a minimum, or should be prevented. If severe arcing occurs, remove the AC power immediately and determine the cause by visual inspection (incorrect installation, cracked or melted high voltage harness, poor soldering, etc.). To maintain the proper minimum level of soft X-Ray emission, components in the high voltage circuitry including the picture tube must be the exact replacements or alternatives approved by the manufacturer of the complete product.
- Do not check high voltage by drawing an arc. Use a high voltage meter or a high voltage probe with a VTVM. Discharge the picture tube before attempting meter connection, by connecting a clip lead to the ground frame and connecting the other end of the lead through a 10kΩ 2W resistor to the anode button.
- When service is required, observe the original lead dress. Extra precaution should be given to assure correct lead dress in the high voltage circuit area. Where a short circuit has occurred, those components that indicate evidence of overheating should be replaced. Always use the manufacturer's replacement components.

9. Isolation Check (Safety for Electrical Shock Hazard)

After re-assembling the product, always perform an isolation check on the exposed metal parts of the cabinet (antenna terminals, video/audio input and output terminals, Control knobs, metal cabinet, screw heads, earphone jack, control shafts, etc.) to be sure the product is safe to operate without danger of electrical shock.

(1) Dielectric Strength Test

The isolation between the AC primary circuit and all metal parts exposed to the user, particularly any exposed metal part having a return path to the chassis should withstand a voltage of 3000V AC (r.m.s.) for a period of one second.

(. . . Withstand a voltage of 1100V AC (r.m.s.) to an appliance rated up to 120V, and 3000V AC (r.m.s.) to an appliance rated 200V or more, for a period of one second.)

This method of test requires a test equipment not generally found in the service trade.

(2) Leakage Current Check

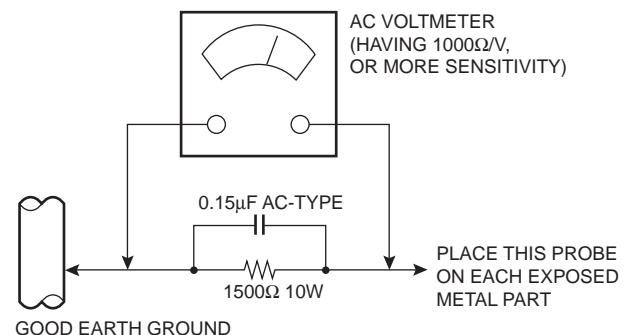
Plug the AC line cord directly into the AC outlet (do not use a line isolation transformer during this check.). Using a "Leakage Current Tester", measure the leakage current from each exposed metal part of the cabinet, particularly any exposed metal part having a return path to the chassis, to a known good earth ground (water pipe, etc.). Any leakage current must not exceed 0.5mA AC (r.m.s.).

However, in tropical area, this must not exceed 0.2mA AC (r.m.s.).

● Alternate Check Method

Plug the AC line cord directly into the AC outlet (do not use a line isolation transformer during this check.). Use an AC voltmeter having 1000 ohms per volt or more sensitivity in the following manner. Connect a 1500Ω 10W resistor paralleled by a 0.15μF AC-type capacitor between an exposed metal part and a known good earth ground (water pipe, etc.). Measure the AC voltage across the resistor with the AC voltmeter. Move the resistor connection to each exposed metal part, particularly any exposed metal part having a return path to the chassis, and measure the AC voltage across the resistor. Now, reverse the plug in the AC outlet and repeat each measurement. Any voltage measured must not exceed 0.75V AC (r.m.s.). This corresponds to 0.5mA AC (r.m.s.).

However, in tropical area, this must not exceed 0.3V AC (r.m.s.). This corresponds to 0.2mA AC (r.m.s.).



FEATURES

- New chassis design enables use of an interactive on-screen control.
- Pure flat CRT produces fine textured picture in every detail.
- Wide range voltage for AC power input.
- With AUDIO / VIDEO / S-VIDEO INPUT & OUTPUT terminals.
- MUTING button can reduce the audio level to zero instantly.
- Functional remote control to operate TV set (for channel select, volume control, power ON/OFF, etc.) from a distance.
- I²C bus control utilizes single chip ICs for IF, V/C (Video/Chroma) and VSM (Video Status Memory).
- By means of AUTO PROGRAM, the TV stations can be selected automatically and the TV channels can also be rearranged automatically.
- Built-in ECO MODE (ECONOMY, ECOLOGY)
In accordance with the brightness in a room, the brightness and/or contrast of the picture can be adjusted automatically to make the optimum picture which is easy on the eye.
- Built-in ON TIMER & RETURN +.
- By means of ALC (Auto Level Control), the audio output is automatically controlled at a constant level.

SPECIFIC SERVICE INSTRUCTIONS

DISASSEMBLY PROCEDURE

REMOVING THE REAR COVER

1. Unplug the AC power cord.
2. Remove the 12 screws marked "A". (See Fig. 3 on the next page.)
3. Withdraw the rear cover backward.

REMOVING THE PB BASE

- After removing the rear cover.
1. Slightly raise both sides of the PB Base by hand and remove the 2 claws under both sides of the PB Base from the front cabinet. (See Fig. 3.)
 2. Withdraw the PB Base backward.
(If necessary, take off the wire clamp, connectors etc.)

REMOVING THE AV TERMINAL BOARD

- After removing the rear cover.
1. Remove the 2 screws marked "B". (See Fig. 3.)
 2. Unhook the claw (marked "C") of the AV Terminal Board from the PW Board by lifting it upward. (See Fig. 1.)
 3. Then remove the AV Terminal Board backward (in the arrow direction marked "D"). (See Fig. 1.)

REMOVING THE CONTROL BASE

- After removing the Rear Cover and the PB Base.
1. While pushing down the claws marked "E", remove the Control Base forward (in the arrow direction marked "F"). (See Fig. 2.)
(If necessary, take off the wire clamp, connectors, etc.)

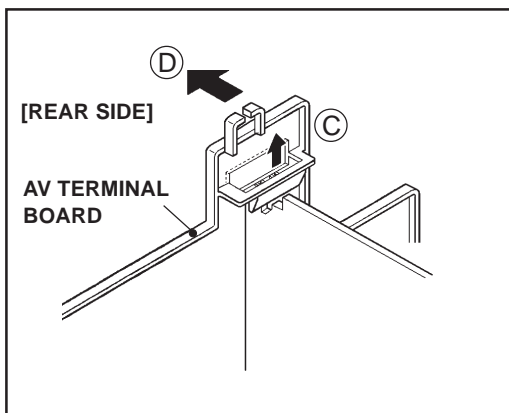


Fig. 1

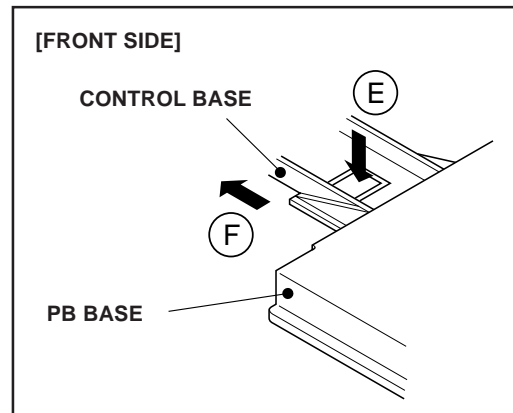


Fig. 2

REMOVING THE SPEAKER

- After removing the rear cover.
1. Remove the Speaker block by removing the 2 screws marked "G". (See Fig. 3.)
 2. Remove the Speaker by removing the 4 screws marked "H". (See Fig. 3.)
 3. Follow the same steps for removing the other hand speaker.

CHECKING THE MAIN PW BOARD

- To check the back side of the Main PW Board, follow the next steps.
1. Pull out the PB Base. (Refer to "REMOVING THE PB BASE".)
 2. Erect the PB Base vertically so that you can easily check the back side of the Main PW Board.

CAUTION:

- When erecting the PB Base, be careful so that there will be no contacting with other PW Board.
- Before turning on power, make sure that the CRT earth wire and other connectors are properly connected.
- When repairing, connect the Deg. coil to the DEG. connector on the Main PW Board.

WIRE CLAMPING AND CABLE TYING

1. Be sure to clamp the wire.
2. Never remove the cable tie used for tying the wires together. Should it be inadvertently removed, be sure to tie the wires with a new cable tie.

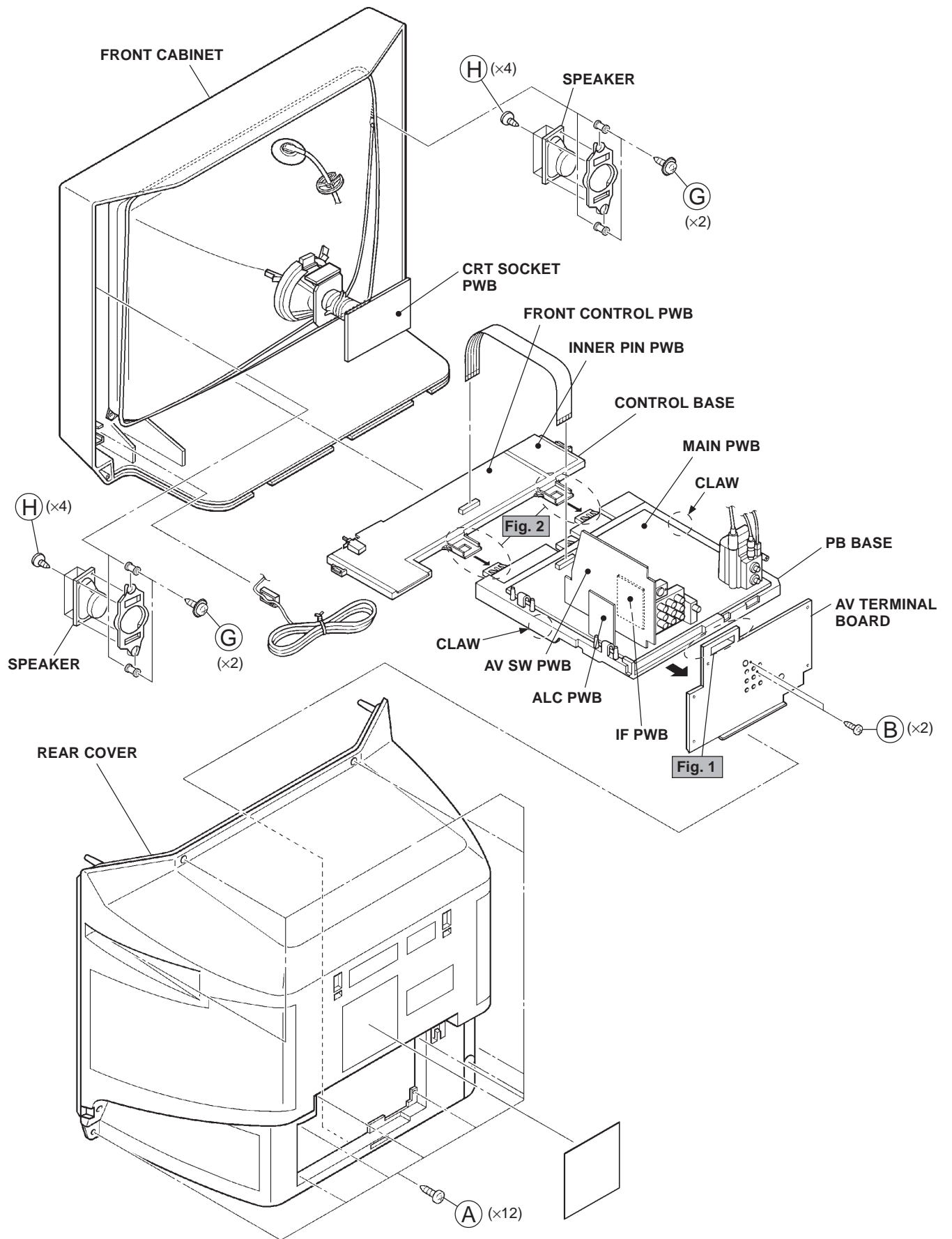


Fig. 3

REPLACEMENT OF MEMORY IC

1. MEMORY IC

This TV uses the following memory IC.

Memory IC: IC1702 on MAIN PW Board

The memory IC memorizes data for correctly operating the video and deflection circuits. When replacing the memory IC, be sure to use the same type IC written with the initial values of data. In other words, use the specific IC listed in "PRINTED WIRING BOARD PARTS LIST". For its mounting location, refer to "ADJUSTMENT LOCATIONS".

2. PROCEDURE FOR REPLACING MEMORY IC

(1) Power off

Switch the power off and unplug the power cord from the wall outlet.

(2) Replacing the memory IC

Replace the memory IC with new one. Be sure to use the memory IC written with the initial data values.

(3) Power on

Plug the power cord into the wall outlet and switch the power on.

(4) Check and setting of SYSTEM CONSTANT SET:

- 1) Press the DISPLAY key and the PICTURE MODE key on the remote control unit simultaneously. The SERVICE MENU screen will be displayed. (See Fig. 1.)
- 2) In the SERVICE MENU, press the DISPLAY key and PICTURE MODE key simultaneously. Then, the SYSTEM CONSTANT SET screen will be displayed. (See Fig. 2.)
- 3) Check whether the setting values of the SYSTEM CONSTANT SET are the same as those indicated in Table 1. If the value is different, select the setting item with the MENU ∇/Δ key, and set the correct value with the MENU - / + key.
- 4) Press the DISPLAY key twice to return to the normal screen.

(5) Receive channel setting

Refer to the **OPERATING INSTRUCTIONS** and set the receive channels (channels preset).

(6) User setting

Check the user setting values in Table 2, and if setting value is different, set the correct value.

For setting, refer to the **OPERATING INSTRUCTIONS**.

(7) Setting of SERVICE MENU

Verify the setting for each setting item in the SERVICE MENU. (See Table 3.) If readjustment is necessary, perform adjustment referring to "SERVICE ADJUSTMENTS".

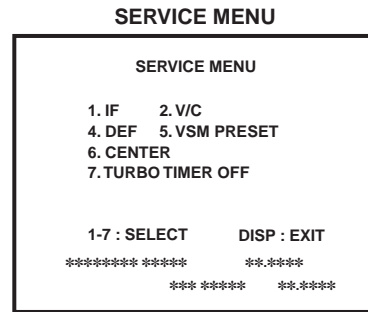


Fig. 1

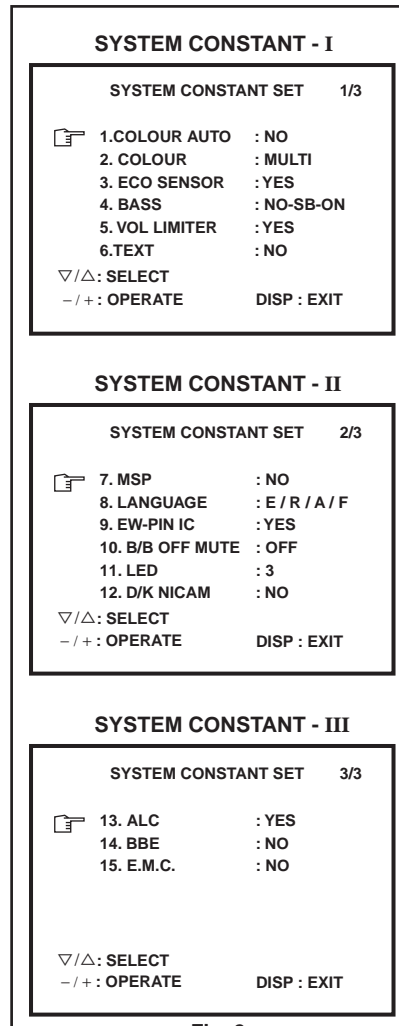
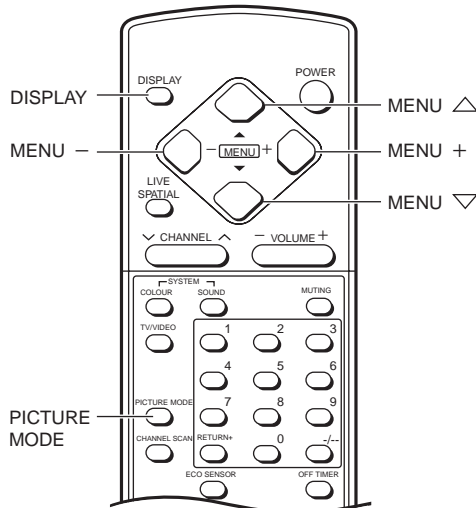


Fig. 2

NAME OF REMOTE CONTROL KEYS



SETTING OF SYSTEM CONSTANT SET

Table 1

Setting item	Setting contents	Setting value
1. COLOUR AUTO	<input type="checkbox"/> YES → NO <input type="checkbox"/>	NO
2. COLOUR	<input type="checkbox"/> MULTI. → TRIPLE → PAL <input type="checkbox"/>	MULTI
3. ECO SENSOR	<input type="checkbox"/> YES → NO <input type="checkbox"/>	YES
4. BASS	<input type="checkbox"/> YES-BB → YES-BB-SB → YES-SB <input type="checkbox"/> <input type="checkbox"/> NO-SB-OFF ← NO-SB-ON ← YES-BA <input type="checkbox"/>	NO-SB-ON
5. VOL. LIMITER	<input type="checkbox"/> YES → NO <input type="checkbox"/>	YES
6. TEXT	<input type="checkbox"/> YES → NO <input type="checkbox"/>	NO
7. MSP	<input type="checkbox"/> YES → NO → NO-A2 <input type="checkbox"/>	NO
8. LANGUAGE	<input type="checkbox"/> E/R/A/F → E/A/F → E/A → E/F <input type="checkbox"/>	E/R/A/F
9. EW-PIN IC	<input type="checkbox"/> YES → NO <input type="checkbox"/>	YES
10. B/B OFF MUTE	<input type="checkbox"/> ON → OFF <input type="checkbox"/>	OFF
11. LED	<input type="checkbox"/> 2 → 3 <input type="checkbox"/>	3
12. D/K NICAM	<input type="checkbox"/> YES → NO <input type="checkbox"/>	NO
13. ALC	<input type="checkbox"/> YES → NO <input type="checkbox"/>	YES
14. BBE	<input type="checkbox"/> YES → NO <input type="checkbox"/>	NO
15. E.M.C.	<input type="checkbox"/> YES → NO <input type="checkbox"/>	NO

USER SETTING VALUES

Table 2

Setting item	Setting value	Setting item	Setting value
SUB POWER	ON	BASS	CENTER
CHANNEL POSITION	1 POSITION	BALANCE	CENTER
CHANNEL PRESET	Refer to OPERATING INSTRUCTION	LANGUAGE	ENGLISH
VOLUME	Appropriate sound volume	AUTO VNR	OFF
TV/VIDEO	TV	OFF TIMER	OFF
ON SCREEN DISPLAY	POSITION NUMBER DISPLAY	AUTO SHUTOFF	OFF
COLOUR SYSTEM	AUTO PAL	ECO SENSOR	OFF
SOUND SYSTEM	B / G	AI VOLUME	HIGH
PICTURE MODE (VSM)	BRIGHT	BLUE BACK	OFF
LIVE SPATIAL	OFF	ON TIMER	PR1 0:00
TREBLE	CENTER	CHILD LOCK	OFF

SERVICE MENU SETTING ITEMS

Table 3

Service menu	Setting item	Service menu	Setting item
1. IF	1. VCO 2. DELAY POINT	4. DEF	1. TRAPEZ 2. V-SHIFT 3. V-SIZE 4. H-CENT 5. H-SIZE 6. EW-PIN 7. V-S.CR 8. V-EDGE ← Do not adjust. 9. EW-COR 10. V-LINE 11. H-COMP ← Do not adjust.
2. V / C	1. CUTOFF(R/G/B) 2. DRIVE(R/B) 3. BRIGHT 4. CONT. 5. COLOUR 6. TINT 7. BLACK OFFSET(R-Y/B-Y) 8. SHARP 9. TEXT(RGB)CONT. 10. BS.OFF 11. BS.POINT 12. DC TRAN RATE 13. APA-CON FO/SW 14. VSM PHASE 15. VSM GAIN 16. CLL SW 17. CLL LEVEL 18. ABL POINT 19. ABL GAIN 20. Y-DL(TV/VIDEO/S) 21. P.ACL SW 22. WPL SW 23. Y GAMMA	5. VSM PRESET (BRIGHT/STD/SOFT)	1. TINT 2. COLOUR 3. BRIGHT 4. CONT. 5. SHARP Do not adjust.
	Do not adjust.	6. CENTER ADJUST	TREBLE BASS Do not adjust.
		7. TURBO TIMER	ON/OFF Should be set to OFF. (When you turn the TV power off, the Turbo Timer is automatically set to OFF.)

REPLACEMENT OF CHIP COMPONENT

■ CAUTIONS

1. Avoid heating for more than 3 seconds.
2. Do not rub the electrodes and the resist parts of the pattern.
3. When removing a chip part, melt the solder adequately.
4. Do not reuse a chip part after removing it.

■ SOLDERING IRON

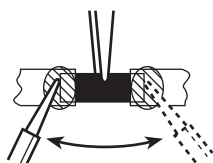
1. Use a high insulation soldering iron with a thin pointed end of it.
2. A 30W soldering iron is recommended for easily removing parts.

■ REPLACEMENT STEPS

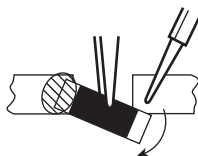
1. How to remove Chip parts

● Resistors, capacitors, etc.

- (1) As shown in the figure, while pushing the chip part with tweezers, alternately melt the solder at its each end.



- (2) Shift the chip part with tweezers and remove it.



● Transistors, diodes, variable resistors, etc.

- (1) Apply extra solder to each lead.



- (2) As shown in the figure, while pushing the chip part with tweezers, alternately melt the solder at its each lead. Then, shift and remove the chip part.

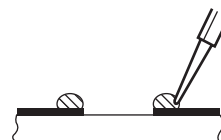


Note : After removing the part, remove remaining solder from the pattern.

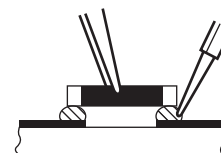
2. How to install Chip parts

● Resistors, capacitors, etc.

- (1) Apply solder to the pattern as indicated in the figure.

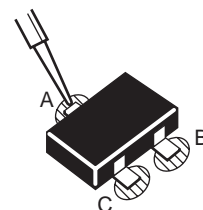


- (2) Grasp the chip part with tweezers and place it on the solder. Then heat and melt the solder at both ends of the chip part.

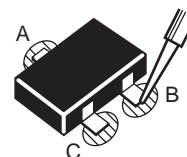


● Transistors, diodes, variable resistors, etc.

- (1) Apply solder to the pattern as indicated in the figure.
- (2) Grasp the chip part with tweezers and place it on the solder.
- (3) First solder lead **A** as indicated in the figure.



- (4) Then solder leads **B** and **C**.



SERVICE ADJUSTMENTS

BEFORE STARTING SERVICE ADJUSTMENT

1. There are 2 ways for adjusting this TV: One is with the REMOTE CONTROL UNIT and the other is the conventional method using adjustment parts and components.
2. The setting (adjustment) using the REMOTE CONTROL UNIT is made on the basis of the initial setting values. The setting values which adjust the screen to the optimum condition can be different from the initial setting values.
3. Make sure that connection is correctly made to AC power source.
4. Turn on the power of the TV and measuring instrument for warming up for at least 30 minutes before starting adjustment.
5. If the receive or input signal is not specified, use the most appropriate signal for adjustment.
6. Never touch parts (such as variable resistors, transformers and capacitors) not shown in the adjustment items of this service adjustment.

7. Preparation for adjustment (presetting):

Unless otherwise specified in the adjustment items, preset the following functions with the remote control unit.

Function	Setting value
PICTURE MODE (VSM)	BRIGHT
COLOUR/BRIGHT/CONT./SHARP	See "VSM Preset" on page 25.
TREBLE/BASS/BALANCE	CENTER
AUTO VNR	OFF
LIVE SPATIAL	OFF
ECO SENSOR	OFF
BLUE BACK	OFF

MEASURING INSTRUMENT AND FIXTURES

1. DC voltmeter (or Digital voltmeter)
2. Oscilloscope
3. Signal generator (Pattern generator)
[PAL / SECAM / NTSC]
4. Remote control unit

ADJUSTMENT/CHECK ITEMS

Adjustment/Check item	Page
B1 POWER SUPPLY Check	14
FOCUS Adjustment	14
IF CIRCUIT Adjustment	14
V/C (VIDEO/CHROMA) CIRCUIT Adjustment	15
DEFLECTION CIRCUIT Adjustment	21
VSM PRESET Adjustment	25
CENTER Adjustment	25
PURITY, CONVERGENCE Adjustment	26

BASIC OPERATION IN SERVICE MENU

1. TOOL OF SERVICE MENU OPERATION

Operate the SERVICE MENU with the remote control unit.

2. SERVICE MENU ITEMS

With the SERVICE MENU, various settings (adjustments) can be made, and they are broadly classified in the following items of settings:

- 1. IF For entering/adjusting the setting values (adjustment values) of the IF circuit.
- 2. V/C For entering/adjusting the setting values (adjustment values) of the VIDEO/CHROMA circuit.
- 4. DEF For entering/adjusting the setting values (adjustment values) of the DEFLECTION circuit.
- 5. VSM PRESET For setting the values of STANDARD, SOFT and BRIGHT
(VSM: video status memory)
- 6. CENTER For setting the CENTER ADJUST values of TREBLE and BASS.
- 7. TURBO TIMER For quick setting the values of TIMER COUNT — adjustable not only by minutes but also by second. If it is ON, the time in TIMER mode changes from 1 minute into 1 second temporarily. (Applicable to OFF TIMER, ON TIMER and AUTO SHUTOFF)

Note: When you turn the TV power off, the Turbo Timer is automatically set to OFF.

3. BASIC OPERATION IN SERVICE MENU

(1) How to enter SERVICE MENU

Press the DISPLAY key and the PICTURE MODE key on the remote control unit simultaneously.
The SERVICE MENU screen will be displayed. (See Fig. 1.)

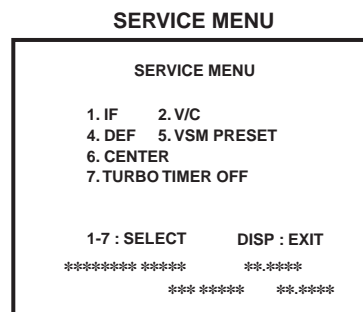


Fig. 1

(2) Selection of SUB MENU SCREEN

Press one of the keys 1, 2, 4 ~ 8 on the remote control unit, and select the SUB MENU SCREEN from the SERVICE MENU. (See Fig. 2 on the next page.)

SERVICE MENU → SUB MENU

- 1. IF
- 2. V / C
- 4. DEF
- 5. VSM PRESET
- 6. CENTER
- 7. TURBO TIMER

(3) Method of Setting

*Once the setting values are set, they are memorized automatically.

*It must not adjust without inputting a signal.

1) 1. IF

[1. VCO]

- (a) 1 Key Select **1. IF**.
- (b) 1 Key Select 1. VCO. (CW)
- (c) VCO(CW) TRANSF. Adjust VCO(CW) while watching the colour (yellow/blue) of the characters on the screen.
- (d) DISPLAY Key When this is pressed twice, you will return to the SERVICE MENU.

[2. DELAY POINT]

- (a) 1 Key Select **1. IF**.
- (b) 2 Key Select 2. DELAY POINT.
- (c) MENU - / + Key Adjust the setting value.
- (d) DISPLAY Key When this is pressed twice, you will return to the SERVICE MENU.

2) 2. V/C, 4. DEF, 5. VSM PRESET and 6. CENTER

- (a) 2, 4 ~ 6 Keys Select one from **2. V/C, 4. DEF, 5. VSM PRESET and 6. CENTER**.
- (b) MENU ▽/△ key Select setting items.
- (c) MENU - / + Key Adjust the setting values of the setting items.
 - Use the number keys on the remote control unit for setting of WHITE BALANCE and BLACK OFFSET. For the setting, refer to each item concerned.
- (d) DISPLAY Key When this is pressed, you will return to the SERVICE MENU.

3) 7. TURBO TIMER

- (a) 7 Key Each time you press the key, ON/OFF state of TURBO TIMER changes. (Should be set to OFF.)

(4) Release of SERVICE MENU

After completing the setting, return to the SERVICE MENU by pressing the DISPLAY key, then again press the DISPLAY key to return to the normal screen.

SUB MENU SCREEN

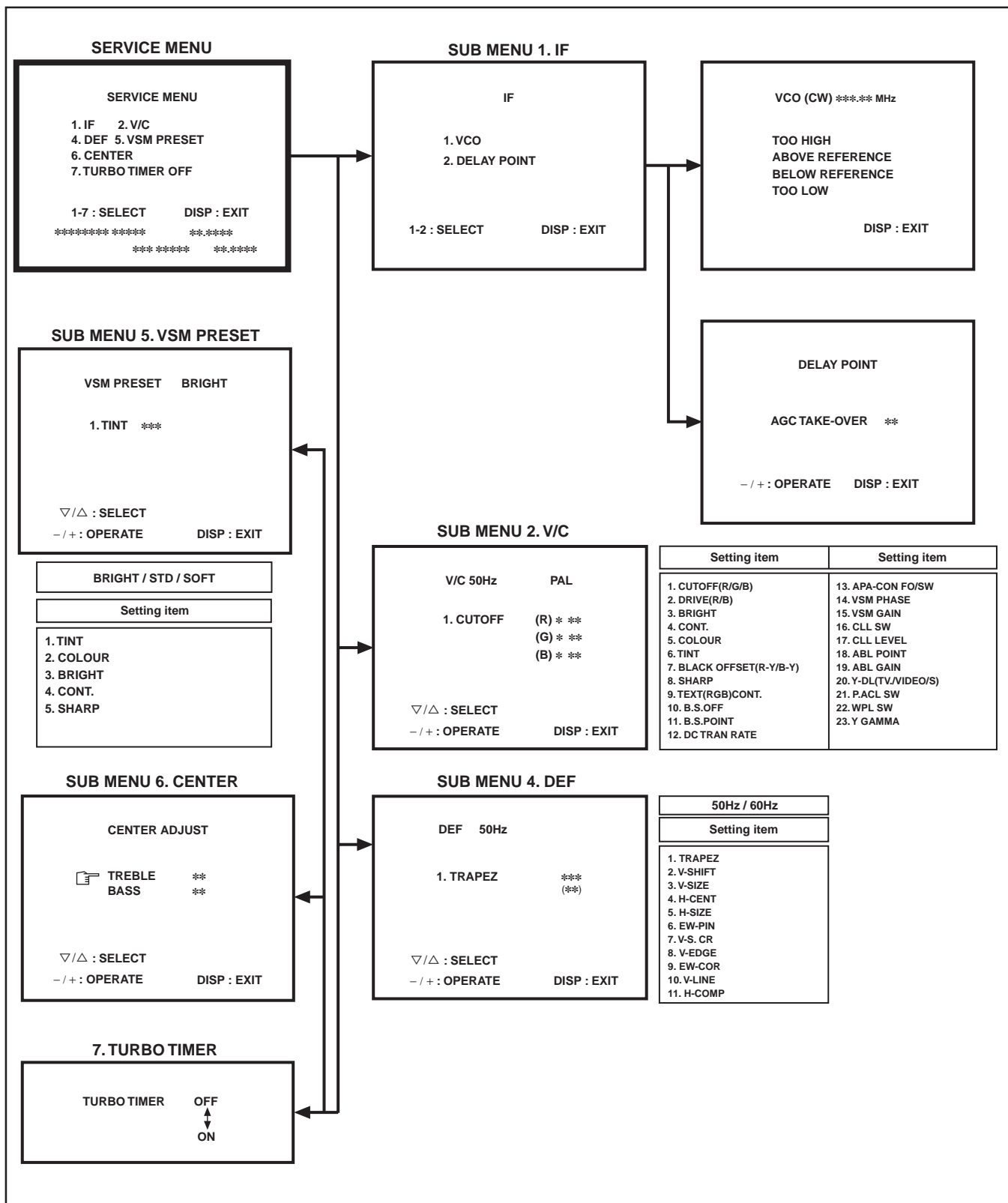
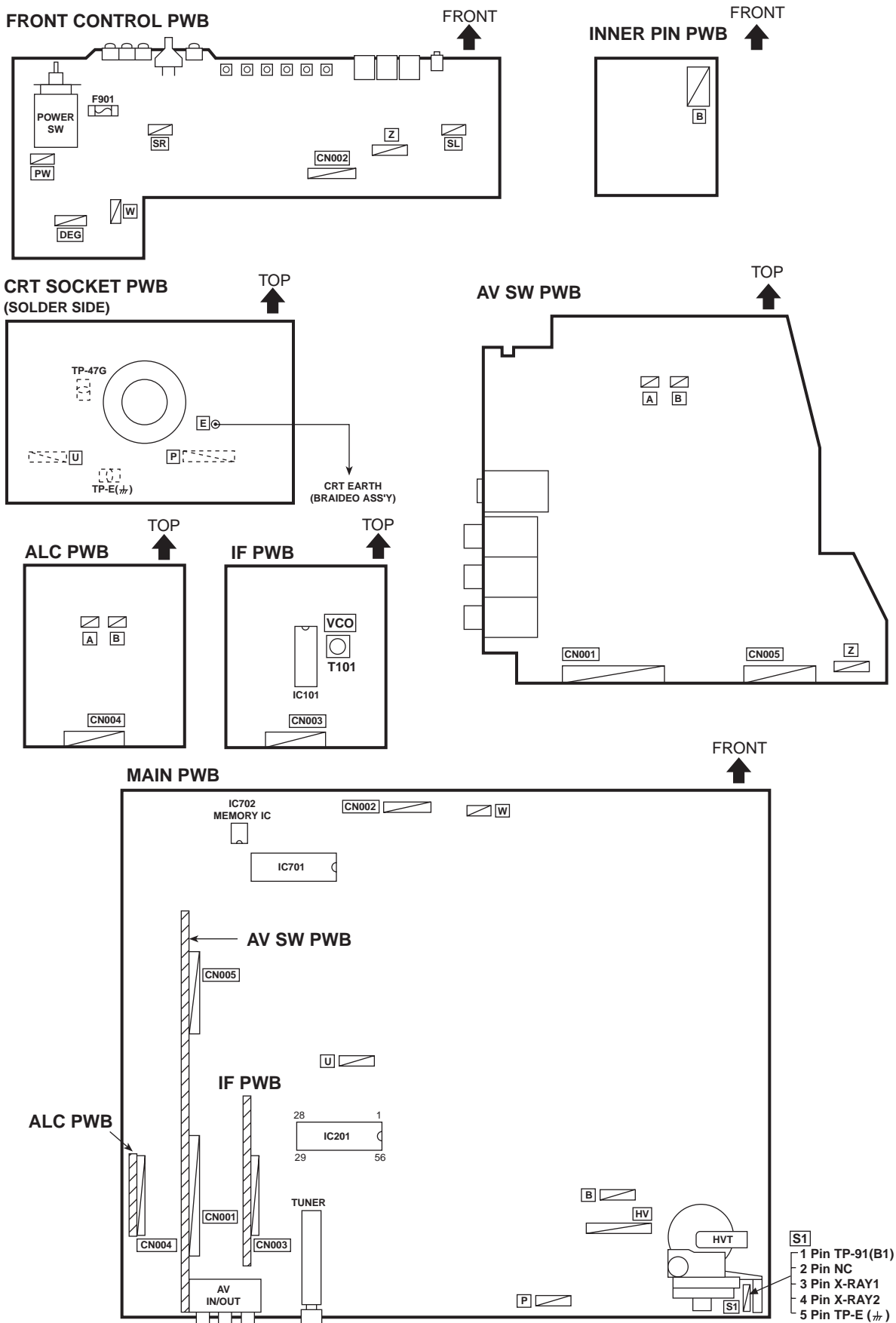


Fig. 2

ADJUSTMENT LOCATIONS



ADJUSTMENTS

B1 POWER SUPPLY

Item	Measuring instrument	Test point	Adjustment part	Description
Check of B1 POWER SUPPLY	Signal Generator DC Voltmeter	TP-91 (B1) TP-E (↗) [S1 connector]		<ol style="list-style-type: none"> 1. Receive a whole black signal. 2. Connect a DC voltmeter between TP-91 (B1) and TP-E (↗) (between pins 1 and 5 of the connector S1). 3. Make sure that the voltage is DC134.0 ± 2.0V.

FOCUS ADJUSTMENT

Item	Measuring instrument	Test point	Adjustment part	Description
Adjustment of FOCUS	Signal generator		FOCUS VR [In HVT]	<ol style="list-style-type: none"> 1. Receive a cross-hatch signal. 2. While watching the screen, adjust the FOCUS VR to make the vertical and horizontal lines as fine and sharp as possible. 3. Make sure that, when the screen is darkened, the lines remain in good focus.

IF CIRCUIT ADJUSTMENT

Item	Measuring instrument	Test point	Adjustment part	Description																							
Adjustment of VCO (CW)	Remote control unit		VCO (CW) TRANSF. [On IF PWB]	<p>● Under normal conditions, no adjustment is required.</p> <ol style="list-style-type: none"> 1. Select 1. IF from the SERVICE MENU. 2. Press the 1 key to select 1. VCO. 3. Select a receivable broadcast channel with the CHANNEL key. 4. Turn the core of VCO(CW) TRANSF. until the colour of the characters "TOO HIGH" displayed on the screen changes from blue to yellow. (Step 1) 5. Then slowly turn the core of VCO(CW) TRANSF. counterclockwise until the characters "ABOVE REFERENCE" changes from blue to yellow. (Step 2) 6. Further, slowly turn the core of VCO(CW) TRANSF. counterclockwise until the colour of the characters "BELOW REFERENCE" changes from blue to yellow. (Step 3) 7. Press the DISPLAY key three times to return to normal screen. 8. Perform CHANNEL PRESET again, and make sure that each broadcast is being received properly. 																							
		<table border="1"> <thead> <tr> <th rowspan="2">Screen display</th> <th colspan="3">Step</th> </tr> <tr> <th>1 →</th> <th>2 →</th> <th>3</th> </tr> </thead> <tbody> <tr> <td>TOO HIGH</td> <td>Yellow →</td> <td>Blue →</td> <td>Blue</td> </tr> <tr> <td>ABOVE REFERENCE</td> <td>Blue →</td> <td>Yellow →</td> <td>Blue</td> </tr> <tr> <td>BELOW REFERENCE</td> <td>Blue →</td> <td>Blue →</td> <td>Yellow</td> </tr> <tr> <td>TOO LOW</td> <td>Blue →</td> <td>→</td> <td>Blue</td> </tr> </tbody> </table>			Screen display	Step			1 →	2 →	3	TOO HIGH	Yellow →	Blue →	Blue	ABOVE REFERENCE	Blue →	Yellow →	Blue	BELOW REFERENCE	Blue →	Blue →	Yellow	TOO LOW	Blue →	→	Blue
Screen display	Step																										
	1 →	2 →	3																								
TOO HIGH	Yellow →	Blue →	Blue																								
ABOVE REFERENCE	Blue →	Yellow →	Blue																								
BELOW REFERENCE	Blue →	Blue →	Yellow																								
TOO LOW	Blue →	→	Blue																								

Item	Measuring instrument	Test point	Adjustment part	Description	
Adjustment of DELAY POINT	Remote control unit		DELAY POINT (AGC TAKE-OVER)	<ol style="list-style-type: none"> 1. Receive a black and white signal (colour off). 2. Select 1. IF from the SERVICE MENU. 3. Select 2. DELAY POINT by pressing the 2 key on the remote control. 4. Adjust the MENU – or + key until video noise disappears. 5. Press the DISPLAY key three times to return to the normal screen. 6. Turn to other channels and make sure that there are no irregularities. 	
					Setting (Adjustment) item
			DELAY POINT (AGC TAKE-OVER)	0 ~ 63	19

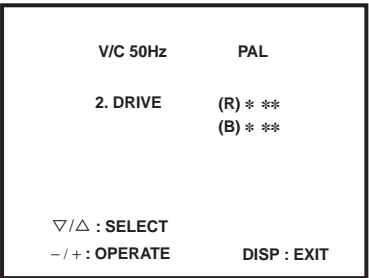
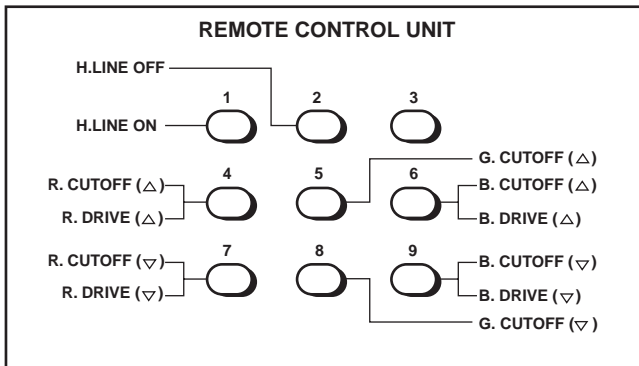
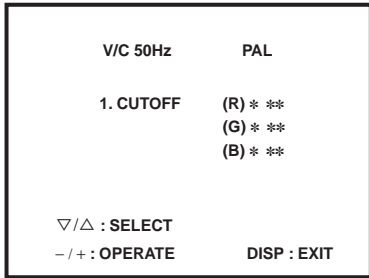
V/C (VIDEO/CHROMA) CIRCUIT ADJUSTMENT

The setting (adjustment) using the remote control unit is made on the basis of the initial setting values.
 The setting values which adjust the screen to the optimum condition can be different from the initial setting values.
 ● Do not change the initial setting values of the setting (adjustment) items not listed in "ADJUSTMENT".

[SUB MENU 2. V/C] : Do not adjust.

Setting item	Colour system	Variable range	Initial setting value			
			PAL	SECAM	NTSC 3.58	NTSC 4.43
1. CUT OFF (R / G / B)		-128 ~ +127	0	←	←	←
2. DRIVE (R / B)		-128 ~ +127	0	←	←	←
3. BRIGHT (RF/VIDEO)		-128 ~ +127	0 / 0	+2 / -1	0 / -2	—
4. CONT. (RF/VIDEO)		-42 ~ +42	0 / -6	-7 / -8	-8 / -7	—
5. COLOUR		-60 ~ +68	+11	+3	+15	0
6. TINT (TV / VIDEO)		-64 ~ +63	—	—	+12 / 0	0 / -4
7. BLACK OFFSET (R-Y / B-Y)		-8 ~ +7	—	+4 / +2	—	—
8. SHARP (TV / VIDEO)		-32 ~ +31	-15 / 0	←	-20 / 0	—
9. TEXT (RGB) CONT.		-128 ~ +77	+10	←	←	←
10. B.S.OFF		0 ~ +1	0	←	←	←
11. B.S.POINT		0 ~ +7	+6	←	←	←
12. DC TRAN RATE		0 ~ +7	0	←	←	←
13. APA-CON FO/SW		0 ~ +3	+1	←	←	←
14. VSM PHASE		0 ~ +3	+3	←	←	←
15. VSM GAIN		0 ~ +3	+1	←	←	←
16. CLL SW		0 ~ +1	+1	←	←	←
17. CLL LEVEL		0 ~ +3	+2	←	←	←
18. ABL POINT		0 ~ +7	+5	←	←	←
19. ABL GAIN		0 ~ +7	+1	←	←	←
20. Y-DL (TV / VIDEO / S)		0 ~ +7	+2 / +4 / +2	+3 / +3 / +2	+2 / +2 / +2	+4 / +4 / +2
21. P.ACL SW		0 ~ +1	+1	←	←	←
22. WPL SW		0 ~ +1	0	←	←	←
23. Y GAMMA		0 ~ +1	0	←	←	←

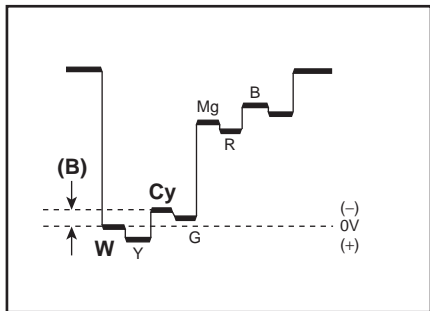
Item	Measuring instrument	Test point	Adjustment part	Description										
<p>Adjustment of WHITE BALANCE (Low light)</p>	<ul style="list-style-type: none"> ● Signal generator ● Remote control unit 		<p>1. CUTOFF (R) CUTOFF (G) CUTOFF (B)</p> <p>SCREEN VR (In HVT)</p>	<ol style="list-style-type: none"> 1. Receive a black and white signal (colour off). 2. Select 2. V/C from the SERVICE MENU. 3. Select 1. CUTOFF (R), (G) and (B) with MENU ▽/△ key, and set each value to initial setting value with 4 ~ 9 keys on the remote control unit. 4. Press the 1 key on the remote control unit to produce a single horizontal line. 5. Turn the SCREEN VR fully counterclockwise, then slowly turn it clockwise to where a red, blue, or green colour is faintly visible. 6. Use keys 4 ~ 9 on the remote control unit and adjust the other 2 colours to where the single horizontal line appears white. 7. Turn the SCREEN VR to where the single horizontal line glows faintly. 8. Press the 2 key to return to 1. CUTOFF screen. 9. Press the DISPLAY key twice to return to the normal screen. <table border="1" data-bbox="797 772 1398 989" style="width: 100%; border-collapse: collapse; margin-top: 20px;"> <thead> <tr> <th style="width: 30%;">Setting (Adjustment) item</th> <th style="width: 30%;">Variable range</th> <th style="width: 40%;">Initial setting value</th> </tr> </thead> <tbody> <tr> <td rowspan="3">1. CUT OFF</td> <td>R</td> <td>-128 ~ +127</td> </tr> <tr> <td>G</td> <td>-128 ~ +127</td> </tr> <tr> <td>B</td> <td>-128 ~ +127</td> </tr> </tbody> </table>	Setting (Adjustment) item	Variable range	Initial setting value	1. CUT OFF	R	-128 ~ +127	G	-128 ~ +127	B	-128 ~ +127
Setting (Adjustment) item	Variable range	Initial setting value												
1. CUT OFF	R	-128 ~ +127												
	G	-128 ~ +127												
	B	-128 ~ +127												
<p>Adjustment of WHITE BALANCE (High light)</p>	<ul style="list-style-type: none"> ● Signal generator ● Remote control unit 		<p>2. DRIVE (R) DRIVE (B)</p>	<ol style="list-style-type: none"> 1. Receive a black and white signal (colour off). 2. Select 2. V/C from the SERVICE MENU. 3. Select 2. DRIVE (R) / (B) with MENU ▽/△ key, and set each value to initial setting value with 4 and 7 keys, or 6 and 9 keys on the remote control unit. 4. Use the keys 4 and 7 or 6 and 9 to produce a white screen. 5. Press the DISPLAY key twice to return to the normal screen. <table border="1" data-bbox="797 1566 1398 1740" style="width: 100%; border-collapse: collapse; margin-top: 20px;"> <thead> <tr> <th style="width: 30%;">Setting (Adjustment) item</th> <th style="width: 30%;">Variable range</th> <th style="width: 40%;">Initial setting value</th> </tr> </thead> <tbody> <tr> <td rowspan="2">2. DRIVE</td> <td>R</td> <td>-128 ~ +127</td> </tr> <tr> <td>B</td> <td>-128 ~ +127</td> </tr> </tbody> </table>	Setting (Adjustment) item	Variable range	Initial setting value	2. DRIVE	R	-128 ~ +127	B	-128 ~ +127		
Setting (Adjustment) item	Variable range	Initial setting value												
2. DRIVE	R	-128 ~ +127												
	B	-128 ~ +127												



Item	Measuring instrument	Test point	Adjustment part	Description
Adjustment of SUB BRIGHT	Remote control unit		3. BRIGHT	<ol style="list-style-type: none"> 1. Receive any broadcast. 2. Select 2. V/C from the SERVICE MENU. 3. Select 3. BRIGHT with the MENU ∇/Δ key. 4. Set the initial setting value with the MENU – or + key. 5. If the brightness is not the best with the initial set value, make fine adjustment until you get the best brightness. 6. Press the DISPLAY key twice to return to the normal screen.
Adjustment of SUB CONT.	Remote control unit		4. CONT.	<ol style="list-style-type: none"> 1. Receive any broadcast. 2. Select 2. V/C from the SERVICE MENU. 3. Select 4. CONT. with the MENU ∇/Δ key. 4. Set the initial setting value with the MENU – or + key. 5. If the contrast is not the best with the initial set value, make fine adjustment until you get the best contrast. 6. Press the DISPLAY key twice to return to the normal screen.
Adjustment of SUB COLOUR-I	Remote control unit		5. COLOR	[Method of adjustment without measuring instrument]
			PAL COLOUR	(PAL COLOUR) <ol style="list-style-type: none"> 1. Receive a PAL broadcast. 2. Select 2. V/C from the SERVICE MENU. 3. Select 5. COLOUR with the MENU ∇/Δ key. 4. Set the initial setting value for PAL COLOUR with the MENU – or + key. 5. If the colour is not the best with the initial set value, make fine adjustment until you get the best colour. 6. Press the DISPLAY key twice to return to the normal screen.
			SECAM COLOUR	(SECAM COLOUR) <ol style="list-style-type: none"> 1. Receive a SECAM broadcast. 2. Make fine adjustment of SECAM COLOUR in the same way as for "PAL COLOUR".
			NTSC 3.58 COLOUR	(NTSC 3.58 COLOUR) <ol style="list-style-type: none"> 1. Receive a NTSC 3.58MHz broadcast. 2. Make similar fine adjustment of NTSC 3.58 COLOUR in the same way as for "PAL COLOUR".
				(NTSC 4.43 COLOUR) When adjustment is done for NTSC 3.58 COLOUR, appropriate values are automatically set for NTSC 4.43 COLOUR.

Item	Measuring instrument	Test point	Adjustment part	Description
Adjustment of SUB COLOUR-II	<ul style="list-style-type: none"> ● Signal generator ● Oscilloscope ● Remote control unit 	TP-47G TP-E (↕) [CRT SOCKET PWB]	5. COLOUR	[Method of adjustment using measuring instrument]
			PAL COLOUR	<p>(PAL COLOUR)</p> <ol style="list-style-type: none"> 1. Receive a PAL full field colour bar signal (75% white). 2. Select 2. V/C from the SERVICE MENU. 3. Select 5. COLOUR with the MENU ▽/△ key. 4. Set the initial setting value of PAL COLOUR with the MENU – or + key. 5. Connect the oscilloscope between TP-47G and TP-E. 6. Adjust PAL COLOUR to set the value (A) in the figure to +4V (W & G).
			SECAM COLOUR	<p>(SECAM COLOUR)</p> <ol style="list-style-type: none"> 1. Receive a SECAM full field colour bar signal (75% white). 2. Set the initial setting value of SECAM COLOUR with the MENU – or + key. 3. Adjust SECAM COLOUR to set the value (A) in the figure to +3V (W & G).
			NTSC 3.58 COLOUR	<p>(NTSC 3.58 COLOUR)</p> <ol style="list-style-type: none"> 1. Receive a NTSC 3.58 full field colour bar signal (75% white). 2. Set the initial setting value of NTSC 3.58 COLOUR with the MENU – or + key. 3. Adjust NTSC 3.58 COLOUR to set the value (A) in the figure to +4V (W & G).
				<p>(NTSC 4.43 COLOUR)</p> When adjustment is done for NTSC 3.58 COLOUR, appropriate values are automatically set for NTSC 4.43 COLOUR.

Item	Measuring instrument	Test point	Adjustment part	Description
Adjustment of SUB TINT-I	Remote control unit		6. TINT	[Method of adjustment without measuring instrument]
			NTSC 3.58 TINT	(NTSC 3.58 TINT) 1. Receive a NTSC 3.58 colour bar signal (full field colour bar 75% white). 2. Select 2. V/C from the SERVICE MENU. 3. Select 6. TINT with the MENU ▽/△ key. 4. Set the initial setting value of NTSC 3.58 with the MENU – or + key. 5. If you cannot get the best tint with the initial setting value, make fine adjustment until you get the best tint. 6. Press the DISPLAY key twice to return to the normal screen.
				(NTSC 4.43 COLOUR) When adjustment is done for NTSC 3.58 TINT, appropriate values are automatically set for NTSC 4.43 TINT.
Adjustment of SUB TINT-II	<ul style="list-style-type: none"> ● Signal generator ● Oscilloscope ● Remote control unit 	TP-47G TP-E (↕) [CRT SOCKET PWB]	6. TINT	[Method of adjustment using measuring instrument]
			NTSC 3.58 TINT	(NTSC 3.58 TINT) 1. Receive a NTSC 3.58 colour bar signal (full field colour bar 75% white). 2. Select 2. V/C from the SERVICE MENU. 3. Select 6. TINT with the MENU ▽/△ key. 4. Set the initial setting value of NTSC 3.58 with the MENU – or + key. 5. Connect the oscilloscope between TP-47G and TP-E. 6. Adjust NTSC 3.58 TINT to set the value (B) in the figure to +3V (W & Cy) . 7. Press the DISPLAY key twice to return to the normal screen.
				(NTSC 4.43 TINT) When adjustment is done for NTSC 3.58 TINT, appropriate values are automatically set for NTSC 4.43 TINT.



Item	Measuring instrument	Test point	Adjustment part	Description
Adjustment of BLACK OFFSET-I (SECAM)	Remote control unit		7. BLACK OFFSET (R-Y) (B-Y)	<p>[Method of adjustment without measuring instrument]</p> <ol style="list-style-type: none"> 1. Receive a SECAM broadcast. 2. Select 2. V/C from the SERVICE MENU. 3. Select 7. BLACK OFFSET with the MENU ∇/Δ key. 4. Set the initial setting value for BLACK OFFSET (R-Y) and (B-Y) with 4 and 7 or 6 and 9 keys on the remote control unit. 5. If the picture is not the best with the initial setting value, make fine adjustment until you get the best picture. 6. Press the DISPLAY key twice to return to the normal screen.
<div style="border: 1px solid black; padding: 5px; text-align: center;"> <p>REMOTE CONTROL UNIT</p> </div>				
Adjustment of BLACK OFFSET-II (SECAM)	<ul style="list-style-type: none"> ● Signal generator ● Oscilloscope ● Remote control unit 	35 PIN (R-Y) 36 PIN (B-Y) IC201 on MAIN PWB	7. BLACK OFFSET (R-Y) (B-Y)	<p>[Method of adjustment using measuring instrument]</p> <ol style="list-style-type: none"> 1. Receive a SECAM COLOUR bar signal (full field colour bar 75% white). 2. Select 2. V/C from the SERVICE MENU. 3. Select 7. BLACK OFFSET with the ∇/Δ key. 4. Connect the oscilloscope between pin 35 of IC201 and TP-E. 5. By using 4 and 7 keys on the remote control unit, adjust the BLACK OFFSET (R-Y) so that the waveform changes from (a) to (b) as shown in the figure. 6. Connect the oscilloscope between pin 36 of IC201 and TP-E. 7. By using 6 and 9 keys on the remote control unit, adjust the BLACK OFFSET (B-Y) so that the waveform changes from (c) to (d) as shown in the figure. 8. If the picture is not the best with the adjusted picture, make fine adjustment until you get the best picture. 9. Press the DISPLAY key twice to return to the normal screen.
<div style="border: 1px solid black; padding: 5px;"> <p>[R-Y]</p> <p style="text-align: center;">(a) (b)</p> </div> <div style="border: 1px solid black; padding: 5px; margin-top: 10px;"> <p>[B-Y]</p> <p style="text-align: center;">(c) (d)</p> </div>				

DEFLECTION CIRCUIT ADJUSTMENT

- There are 2 modes of adjustment (initial setting value) — 50Hz mode and 60Hz mode — depending upon the kind of signals (vertical frequency 50Hz / 60Hz).
- When adjusted in 50Hz mode, 60Hz mode will be automatically set.

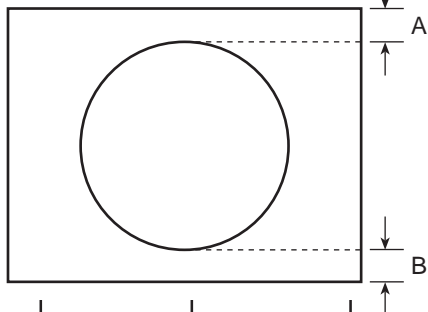
The setting (adjustment) using the remote control unit is made on the basis of the initial setting values.
The setting values which adjust the screen to the optimum condition can be different from the initial setting values.

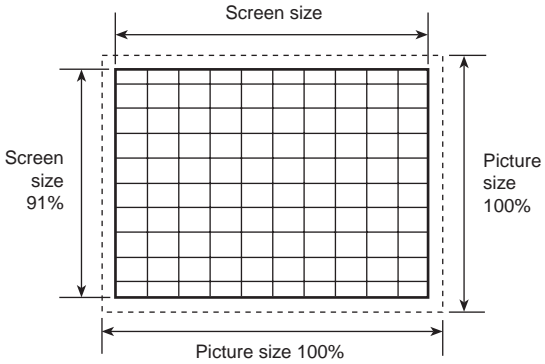
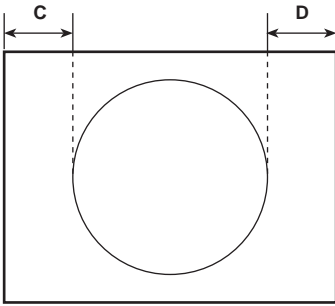
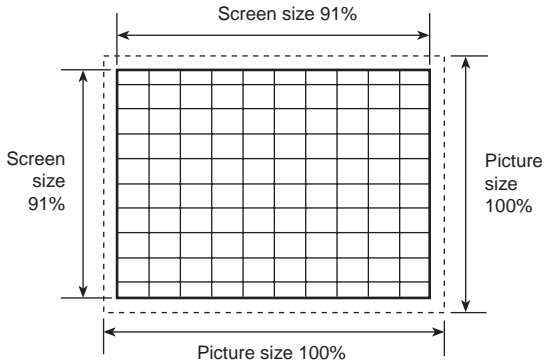
[SUB MENU 4. DEF]

Setting item	Adjustment name	Variable range	Initial setting value	
			50Hz	60Hz
1. TRAPEZ	Trapezoidal distortion correction	-32 ~ +31	-15	-3
2. V-SHIFT	Vertical center	-32 ~ +31	-19	+12
3. V-SIZE	Vertical height	-64 ~ +63	+12	0
4. H-CENT	Horizontal center	-16 ~ +15	-6	0
5. H-SIZE	Horizontal width	-64 ~ +63	+6	0
6. EW-PIN	Side pin correction	-64 ~ +63	-10	0
7. V-S. CR	Vertical height correction	-64 ~ +63	0	+2
8. V-EDGE	Vertical edge correction	-64 ~ +63	+3	+2
9. EW-COR	Side pin fore correction	-64 ~ +63	-1	-1
10. V-LINE	Vertical linearity	-16 ~ +15	0	+2
11. H-COMP	Horizontal compensation	0 ~ +15	+3	0

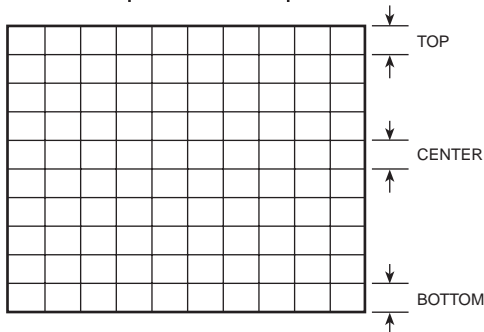
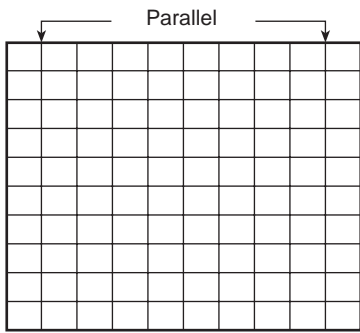
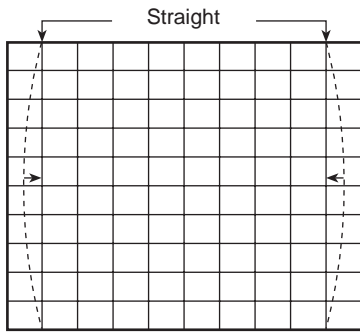
: Do not adjust.

Item	Measuring instrument	Test point	Adjustment part	Description
Adjustment of V-SHIFT	<ul style="list-style-type: none"> ● Signal generator ● Remote control unit 		2. V-SHIFT	<p>[fv : 50Hz mode]</p> <ol style="list-style-type: none"> 1. Receive a circle pattern signal of vertical frequency 50Hz. 2. Select 4. DEF from the SERVICE MENU. 3. Select 2. V-SHIFT with the MENU ∇/Δ key. 4. Set the initial setting value of 2. V-SHIFT with the MENU - / + key. 5. Adjust V-SHIFT to make "A = B" with the MENU - / + key. <p>(to be continued)</p>



Item	Measuring instrument	Test point	Adjustment part	Description
<p>Adjustment of V-SIZE</p> 			<p>3. V-SIZE</p>	<p>6. Receive a cross-hatch signal. 7. Select 3. V-SIZE with the MENU ∇/Δ key. 8. Set the initial setting value of 3. V-SIZE with the MENU - / + key. 9. Adjust V-SIZE and make the vertical screen size 91% of the picture size with the MENU - / + key.</p>
<p>Adjustment of H. CENTER</p> 			<p>4. H-CENT</p>	<p>10. Receive a circle pattern signal. 11. Select 4. H-CENT with the MENU ∇/Δ key. 12. Set the initial setting value of 4. H. CENT with the MENU - / + key. 13. Adjust H. CENT to make "C = D" with the MENU - / + key.</p>
<p>Adjustment of H. SIZE</p> 			<p>5. H-SIZE</p>	<p>14. Receive a cross-hatch signal. 15. Select 5. H-SIZE with the MENU ∇/Δ key. 16. Set the initial setting value of 5. H-SIZE with the MENU - / + key. 17. Adjust H-SIZE and make the horizontal screen size 91% of the picture size with the MENU - / + key.</p> <p>(to be continued)</p>

Item	Measuring instrument	Test point	Adjustment part	Description
Adjustment of EW-PIN			6. EW-PIN	<p>18. Select 6. EW-PIN with the MENU ∇/Δ key.</p> <p>19. Set the initial setting value of 6. EW-PIN with the MENU $-/+$ key.</p> <p>20. Adjust EW-PIN so that the first vertical lines at the left and right edges on the screen are straight.</p>
Adjustment of TRAPEZ			1. TRAPEZ	<p>21. Select 1. TRAPEZ with the MENU ∇/Δ key.</p> <p>22. Set the initial setting value of 1. TRAPEZ with the MENU $-/+$ key.</p> <p>23. Adjust TRAPEZ so that the vertical lines at the left and right edges on the screen are in parallel.</p>
Adjustment of V-S.CR & V-LINE			7. V-S.CR 10. V-LINE	<p>● When the vertical linearity has been deteriorated remarkably, perform the following steps.</p> <p>24. Select 7. V-S.CR with the MENU ∇/Δ key.</p> <p>25. Set the initial setting value of 7. V-S.CR with the MENU $-/+$ key.</p> <p>26. Select 10. V-LINE with the MENU ∇/Δ key.</p> <p>27. Set the initial setting value of 10. V-LINE with the MENU $-/+$ key.</p> <p>28. Adjust V-S.CR and V-LINE so that the spaces of each line on TOP, CENTER and BOTTOM become uniform.</p> <p>(to be continued)</p>



Item	Measuring instrument	Test point	Adjustment part	Description
Adjustment of EW-COR			9. EW-COR	<ul style="list-style-type: none"> ● Observe the vertical lines at the four corners on the screen. If they are not straight, correct them by performing the following steps. 29. Select 9. EW-COR with the MENU ∇/Δ key. 30. Set the initial setting value of 9. EW-COR with the MENU $-/+$ key. 31. Adjust EW-COR so that the vertical lines at the four corners on the screen are straight.
				<p>32. Make sure that the adjustment is properly done on the screen of 60Hz mode.</p> <p>33. Press the DISPLAY key twice to return to the normal screen.</p> <p>[NOTE]</p> <ul style="list-style-type: none"> ● When adjust in 60Hz mode, only 60Hz mode is adjust.

VSM PRESET ADJUSTMENT

Item	Measuring instrument	Test point	Adjustment part	Description																								
Setting of VSM PRESET	Remote control unit		1. TINT 2. COLOUR 3. BRIGHT 4. CONT. 5. SHARP	(VSM PRESET) 1. Select 5. VSM PRESET from the SERVICE MENU. 2. Select BRIGHT with the PICTURE MODE key. 3. Adjust the MENU ∇/Δ key and MENU – or + key to reset the set values of 1. TINT ~ 5. SHARP to the values shown in the table. 4. Respectively select the VSM PRESET mode for SOFT and STANDARD, and make similar adjustment as in 3 above. 5. Press the DISPLAY key twice to return to the normal screen. [Setting Values for SUB MENU 5. VSM PRESET] <table border="1"> <thead> <tr> <th>VSM preset mode VSM Setting item</th> <th>BRIGHT</th> <th>STANDARD</th> <th>SOFT</th> </tr> </thead> <tbody> <tr> <td>1. TINT SETTING VALUE</td> <td>0</td> <td>←</td> <td>←</td> </tr> <tr> <td>2. COLOUR SETTING VALUE</td> <td>0</td> <td>←</td> <td>←</td> </tr> <tr> <td>3. BRIGHT SETTING VALUE</td> <td>0</td> <td>←</td> <td>←</td> </tr> <tr> <td>4. CONT. SETTING VALUE</td> <td>+15</td> <td>0</td> <td>-4</td> </tr> <tr> <td>5. SHARP SETTING VALUE</td> <td>0</td> <td>←</td> <td>-3</td> </tr> </tbody> </table> [Do not adjust.]	VSM preset mode VSM Setting item	BRIGHT	STANDARD	SOFT	1. TINT SETTING VALUE	0	←	←	2. COLOUR SETTING VALUE	0	←	←	3. BRIGHT SETTING VALUE	0	←	←	4. CONT. SETTING VALUE	+15	0	-4	5. SHARP SETTING VALUE	0	←	-3
VSM preset mode VSM Setting item	BRIGHT	STANDARD	SOFT																									
1. TINT SETTING VALUE	0	←	←																									
2. COLOUR SETTING VALUE	0	←	←																									
3. BRIGHT SETTING VALUE	0	←	←																									
4. CONT. SETTING VALUE	+15	0	-4																									
5. SHARP SETTING VALUE	0	←	-3																									

SUB MENU 5. VSM PRESET

VSM PRESET	BRIGHT
1. TINT ***	
∇/Δ : SELECT -/+ : OPERATE DISP : EXIT	

CENTER ADJUSTMENT

- Do not adjust **6. CENTER** (TREBLE, BASS) in the SERVICE MENU as it requires no adjustment.

[SUB MENU 6. CENTER]

Setting item	Initial setting value (fixed)
TREBLE (Do not adjust.)	+2
BASS (Do not adjust.)	+3

[Do not adjust.]

PURITY, CONVERGENCE ADJUSTMENT

PURITY ADJUSTMENT

1. Demagnetize CRT with the demagnetizer.
2. Loosen the retainer screw of the deflection yoke.
3. Remove the wedges. (See Fig. 1.)
4. Input a green raster signal from the signal generator, and turn the screen to green raster.
5. Move the deflection yoke backward.
6. Bring the long lug of the purity magnets on the short lug and position them horizontally. (See Fig. 2.)
7. Adjust the gap between two lugs so that the green raster will come into the center of the screen. (See Fig. 3.)
8. Move the deflection yoke forward, and fix the position of the deflection yoke so that the whole screen will become green.
9. Insert the wedges to the top side of the deflection yoke so that the deflection yoke will not move.
10. Input a cross-hatch signal.
11. Verify that the screen is horizontal.
12. Input red and blue raster signals, and make sure that purity is properly adjusted.

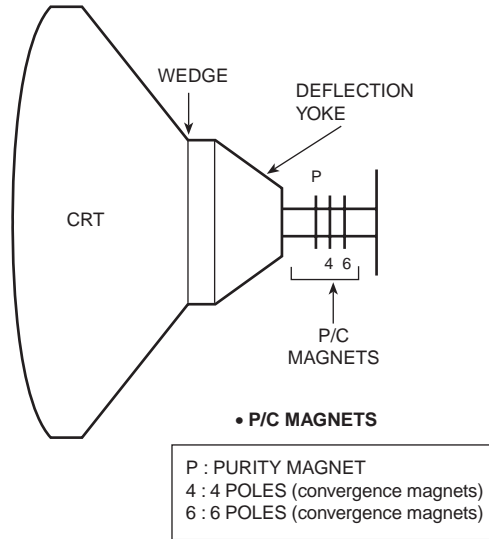


Fig. 1

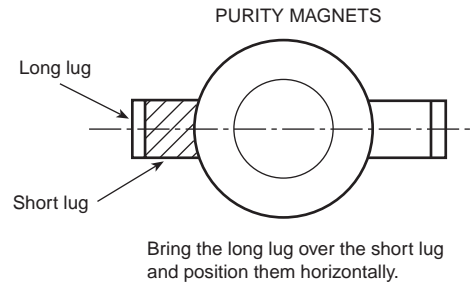


Fig. 2

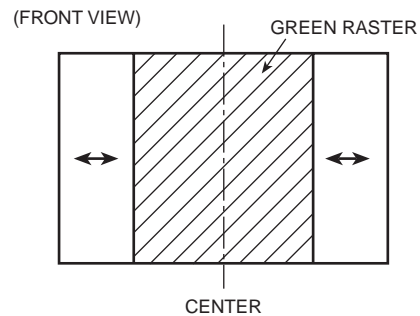


Fig. 3

STATIC CONVERGENCE ADJUSTMENT

1. Input a cross-hatch signal.
2. Using 4-pole convergence magnets, overlap the red and blue lines in the center of the screen (Fig. 1) to turn them to magenta (red/blue).
3. Using 6-pole convergence magnets, overlap the magenta (red/blue) and green lines in the center of the screen to turn them to white.
4. Repeat 2 and 3 above, and make best convergence.

DYNAMIC CONVERGENCE ADJUSTMENT

1. Move the deflection yoke up and down and overlap the lines in the periphery. (Fig. 2)
2. Move the deflection yoke left to right and overlap the lines in the periphery. (Fig. 3)
3. Repeat 1 and 2 above, and make best convergence.

- After adjustment, fix the wedge at the original position. Fasten the retainer screw of the deflection yoke. Fix the 6 magnets with glue.

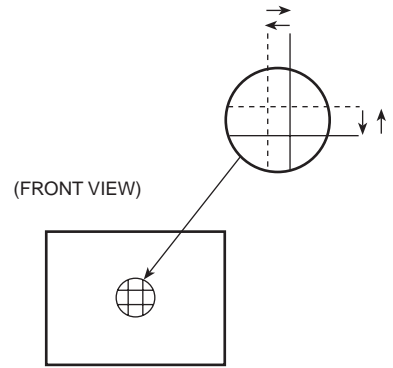


Fig. 1

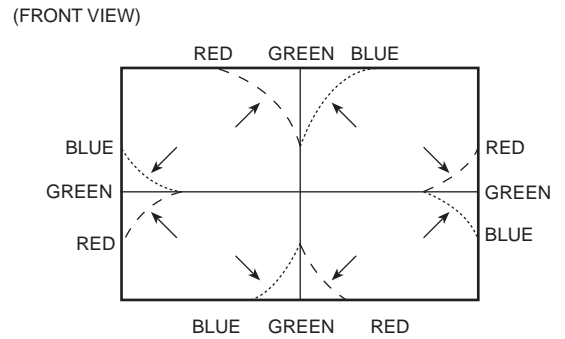


Fig. 2

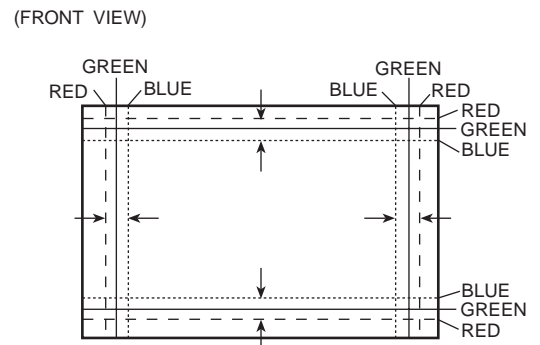


Fig. 3

SELF-CHECK FUNCTIONS

1. Outline

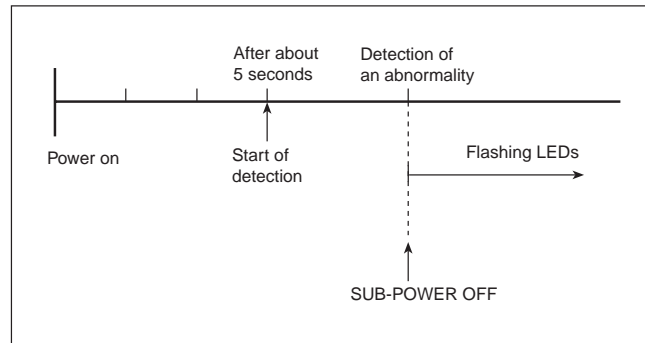
This model has self-check functions given below. When an abnormality has been detected, the SUB POWER is turned off and both ECO and ON TIMER LEDs flash to inform of the failure. An abnormality is detected by the signal input state of the control line connected to the microcomputer.

2. Self-check items

Check item	Details of detection	Method of detection	State of abnormality
Over-current protection	An over-current on the low B line is detected.	The main microcomputer detects the possible abnormality at 30-msec. intervals and judges the results in every 16 time. Of the 16 times, if NG is detected more than 9 times, it is judged that there is an abnormality.	When an abnormality has been detected, the SUB-POWER is turned off. While the SUB-POWER is being turned off, the POWER key on the remote control unit is not operational until the power cord is taken out and put in again.
CRT NECK protection	Operation of CRT NECK protection circuit	DITTO	DITTO

3. Self-check indicating function

When an abnormality has been detected at about 5 seconds after the power is turned on, the SUB POWER is turned off immediately and the LEDs flash.



[Indication by the LEDs]

Item	LEDs flashing intervals	Priority of detection
① Over-current protection	At 0.2-second intervals	1
② CRT NECK protection	At 1-second intervals	2

Note: In case of ① + ②, the item ① is indicated.



JVC

VICTOR COMPANY OF JAPAN, LIMITED
TELEVISION RECEIVER DIVISION 1106 Heta, Iwai-city, Ibaraki-prefecture, 306-0698, Japan

